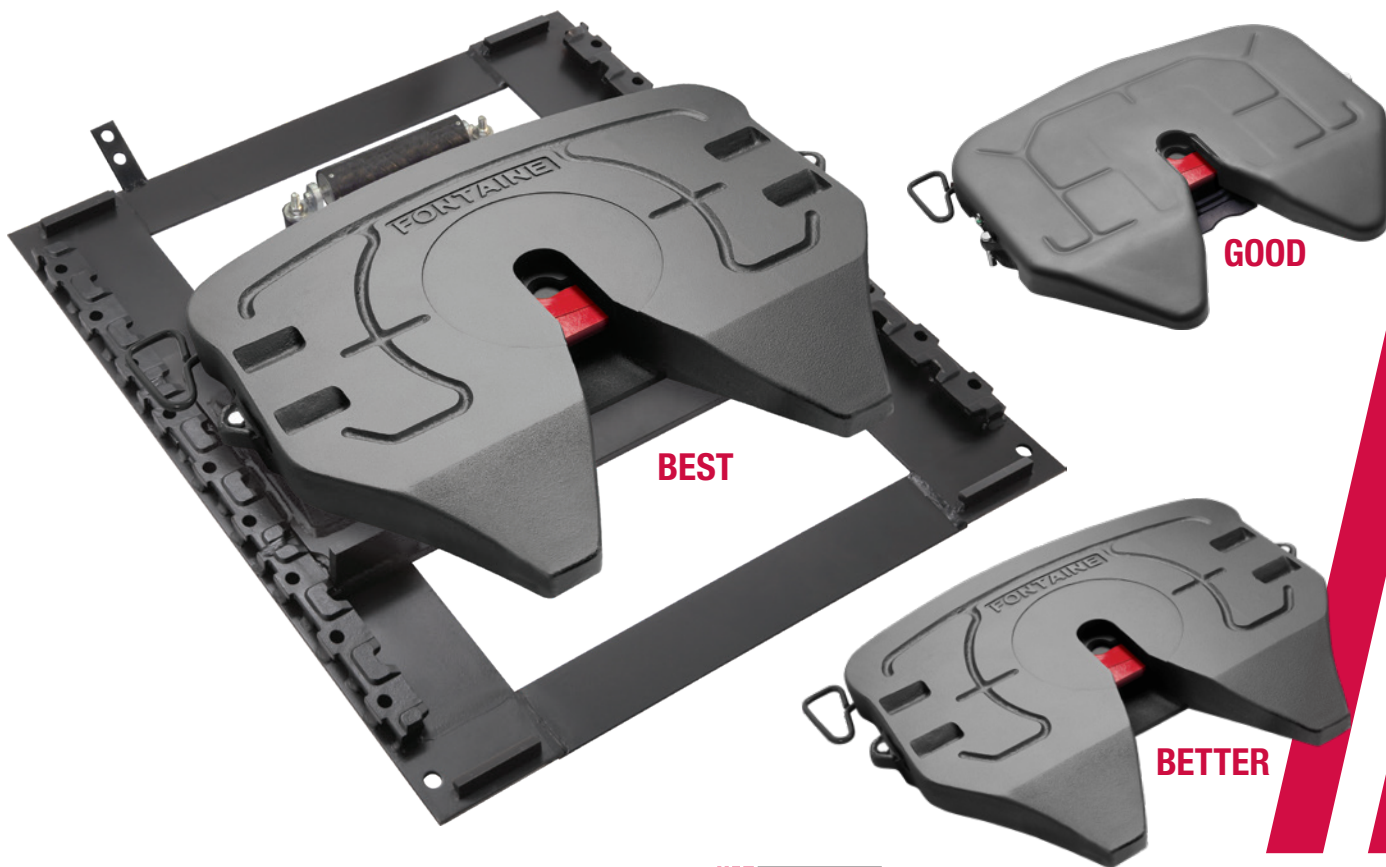


# GOOD **BETTER** BEST

No-Slack® fifth wheel solutions for **EVERY CUSTOMER**  
from the brand you know and trust!

## Buy Genuine Fontaine!



  
**FONTAINE**®  
FIFTH WHEEL  
*Genuine Parts*

[www.fifthwheel.com](http://www.fifthwheel.com)

**Don't fool around with other brands!**

Non-genuine parts void Fontaine's warranty and liability,  
and increase the likelihood of failure down the road.

**KEEP IT GENUINE!**

**BUY ONLY Top Performing... Always Available... Genuine Fontaine!**



We make it **EASY!**



search  
parts



order/status  
tracking



competitive  
cross reference



key catalogs  
and videos



where to  
buy



let's  
chat



get the  
app



spec my  
truck



contact



Fontaine  
No-Slack®

**www.fifthwheel.com**

# GOOD

## SLTPL6000 Top Plate

Low price • Light weight



Part Number

**SLTPL6000**

- 50,000 lbs vertical load
- Up to 115,000 lbs GCW

### Replacing a Fontaine top plate? Here's a **GOOD** option!

- Genuine Fontaine 6000 Series fifth wheel top plate
- Self-adjusting No-Slack® lock cuts maintenance cost
- Secondary lock provides added security
- Straight pull handle for driver ease and convenience

 **Genuine Parts®**

*Top performance. Always available.*

REPAIR Kit Part number

**KIT-RPR-6000L**

Repair kit for fifth wheel with left side (driver side handle)  
NT/6000/7000/7000CC.



REBUILD Kit Part number

**KIT-RX-67NTL**

Rebuild kit for fifth wheel with left side (driver side handle)  
NT/6000/7000/7000CC.



## BIG SAVINGS on bulk purchase!

Pallet Pricing

10 to 50 plus top plates



Truck Load Pricing

160 plus top plates



**FREE  
FREIGHT**  
On Orders  
Over \$3200



# BETTER

## SLTPL7000 Top Plate

Cast steel • Moderate duty



Part Number

**SLTPL7000**

- 55,000 lbs vertical load
- Up to 140,000 lbs GCW

### Replacing a Fontaine top plate? Here's a **BETTER** option!

- Genuine Fontaine 7000 Series fifth wheel top plate
- Self-adjusting No-Slack® lock cuts maintenance cost
- Secondary lock provides added security
- Straight pull handle for driver ease and convenience



*Top performance. Always available.*

REPAIR Kit Part number

**KIT-RPR-6000L**

Repair kit for fifth wheel with left side (driver side handle)  
NT/6000/7000/7000CC.



REBUILD Kit Part number

**KIT-RX-67NTL**

Rebuild kit for fifth wheel with left side (driver side handle)  
NT/6000/7000/7000CC.



## BIG SAVINGS on bulk purchase!

Pallet Pricing

10 to 50 plus top plates



Truck Load Pricing

160 plus top plates



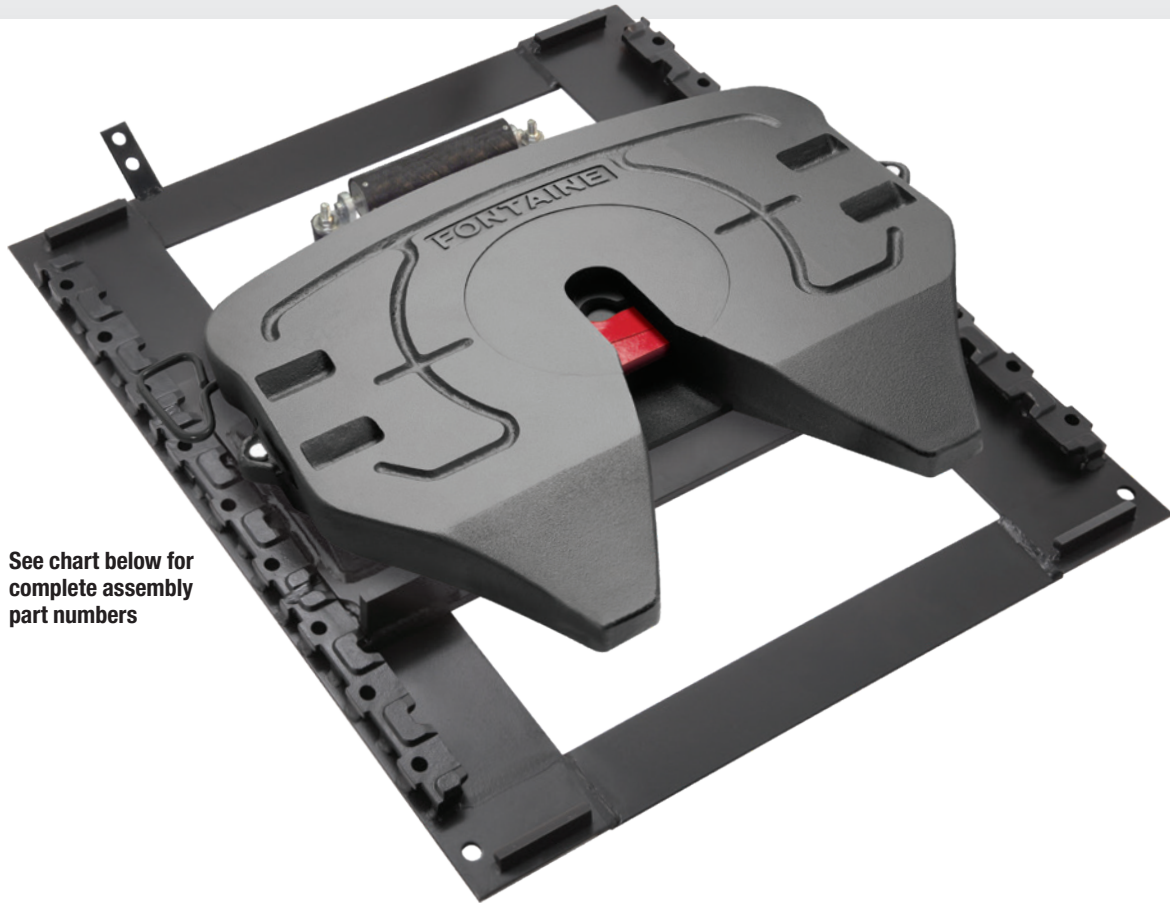
**FREE  
FREIGHT**  
On Orders  
Over \$3200



# BEST

## Genuine Fontaine Complete Assemblies

Replace any brand • Competitive price



See chart below for complete assembly part numbers

Replacing a Holland XA-351-A-L-P or Jost JSK37USL top plate?  
Here's the **BEST** option!

## CONVERT TO GENUINE FONTAINE!

- Buy a Fontaine complete assembly for **less** than the price of a competitor's top plate!
- **FREE FREIGHT** when replacing a competitor's complete assembly
- Email [parts@fifthwheel.com](mailto:parts@fifthwheel.com) if you don't see your fifth wheel's travel and height in the chart below – We can help!

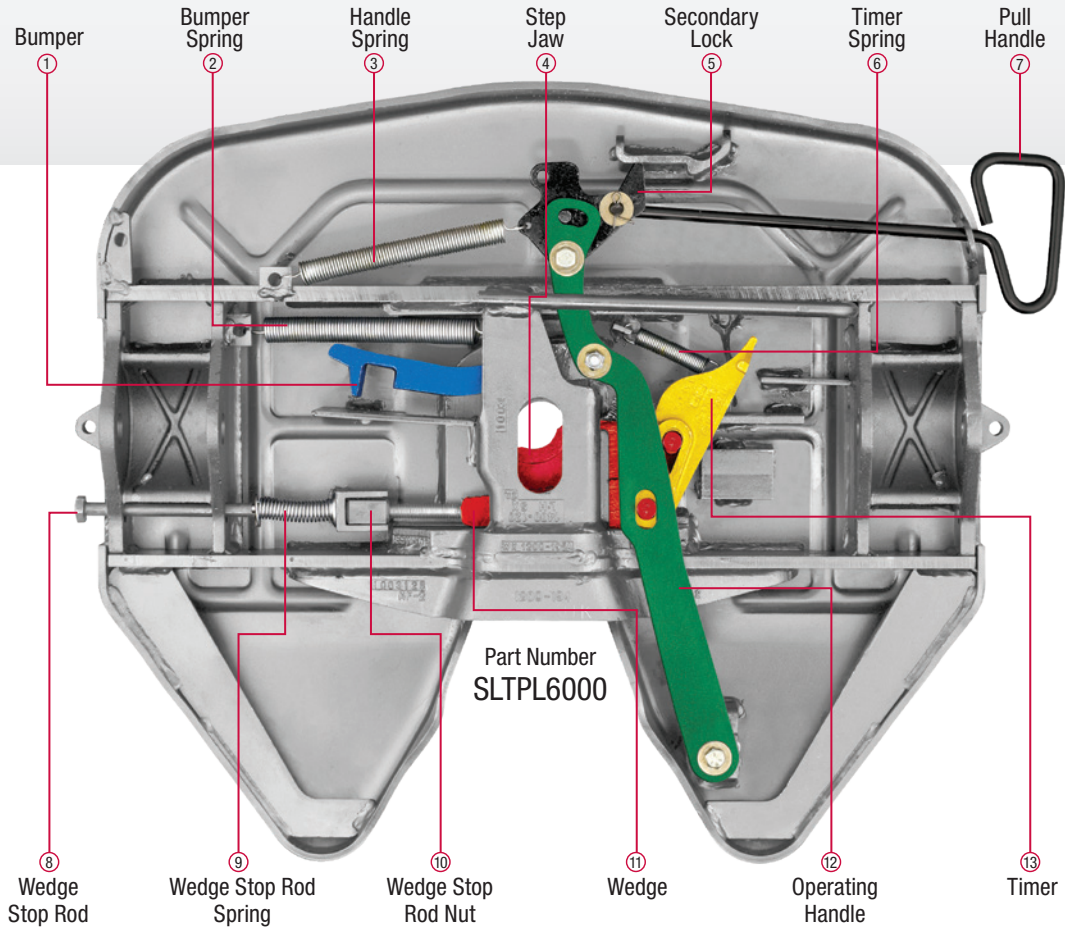
Fontaine Part Number	SAF Holland	Jost
SL6LWB675024	FW17A724XL00	JSK36NSL-A7PX24
SL7LWB675024	FW35A724XL00	JSK37USL-A7PX24
SL7LWB725024	FW35A824XL00	JSK37USL-A8PX24
SL7LWB825024	FW35A924XL00	JSK37USL-A9PX24
SL7LWB925024	FW35A924XL00	JSK37USL-A10PX24



Manufacturer names and trademarks such as Holland or Jost are used in this flyer for reference purposes only. All trademarks remain property of their respective owners.

# KEEP IT GENUINE!

The same parts fit 6000 and 7000 top plates.



## Our Most Popular Genuine Fontaine Aftermarket Parts!

Description	Part Number	Fits	Weight	Contains
REPAIR KIT (DRIVER SIDE PULL HANDLE)	KIT-RPR-6000L*	6000,7000,7000CC,NT,H7	8 LBS	②③④⑥⑪
REBUILD KIT (DRIVER SIDE PULL HANDLE)	KIT-RX-67NLT*	6000,7000,7000CC,NT	23 LBS	ALL
PULL HANDLE	KIT-PUL-6000*	6000,7000,7000CC,NT	2.2 LBS	⑦
OPERATING HANDLE	KIT-OPR-6000	6000,7000,7000CC,NT	5.2 LBS	⑫
TIMER KIT (DRIVER SIDE)	KIT-TMR-6000L	6000,7000,7000CC,NT,H7	3.4 LBS	⑫⑥
ADJUSTMENT ROD KIT	KIT-ROD-1108	6000,7000,7000CC,NT,H7	1.5 LBS	⑧⑨⑩
BUMPER KIT (DRIVER SIDE)	KIT-BPR-6000L	6000,7000,7000CC,NT,H7	3.7 LBS	①②
SPRING KIT	KIT-SPRING	6000,7000,7000CC,NT,H7	1.1 LBS	②③⑥
REPLACEMENT TOP PLATE	SLTPL7000	6000, 7000	246 LBS	COMPLETE
REPLACEMENT TOP PLATE	SLTPL6000	6000	205 LBS	COMPLETE

Part numbers that start with "KIT" include installation hardware.

\* Part available as L (left) or R (right). For passenger side pull handle change suffix from "L" to "R". Example: KIT-RPR-6000R

